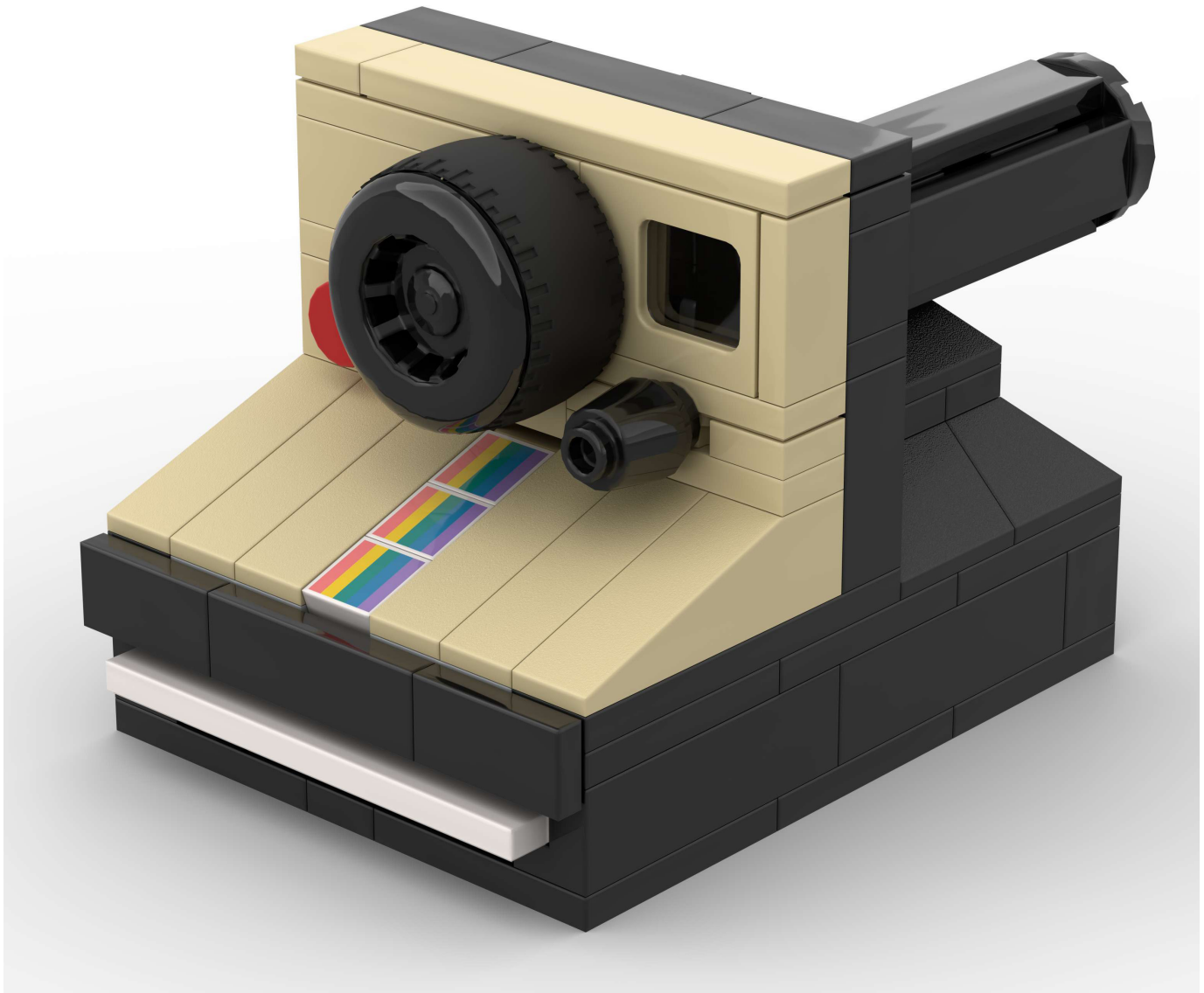


BrickNerd Instructions

Polaroid® Camera




Design and Instructions by the BrickNerd Team

Few things are more iconic than the classic Polaroid camera—there's just something magical in taking a photo and being able to hold it in your hand a few moments later.

To pay tribute to this icon of photography and to follow up on our Vintage Camera instructions from last year, the BrickNerd team designed a small replica Polaroid camera for you to build at home. It is scaled to the 6x6 tile that is

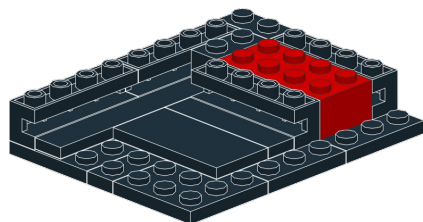
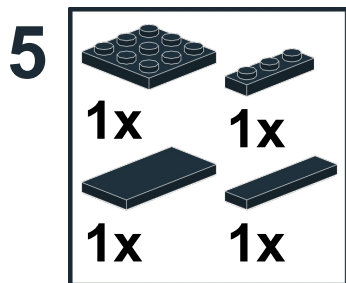
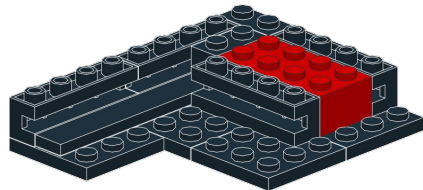
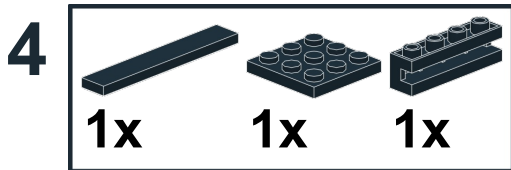
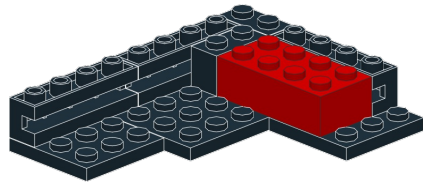
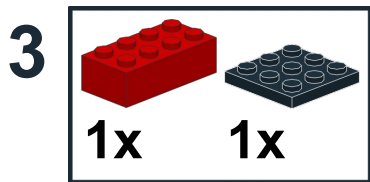
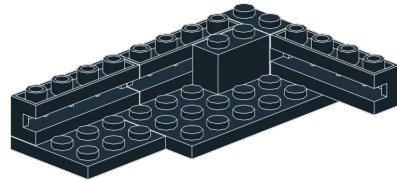
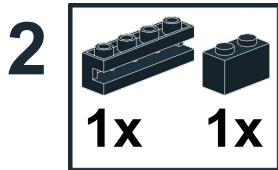
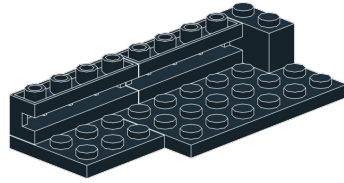
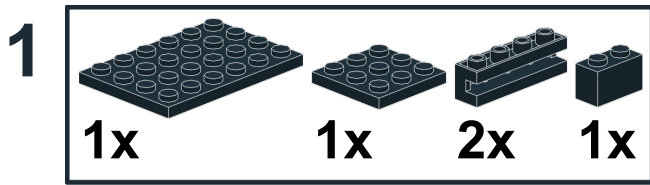
doubling as the instant film that made Polaroid cameras so captivating. The tile slides right into the thin opening on the front, so we can't wait to see custom printed ones hanging on fridges and pinned to bulletin boards!

We even snuck in some interesting techniques to align the colorful strip across the camera's body. It was such fun to design, and we hope you'll enjoy building this little model just as much as this little trip down memory lane! 

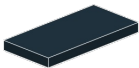
Parts List

(Parts can be ordered through Bricklink.com by searching by part number and color)

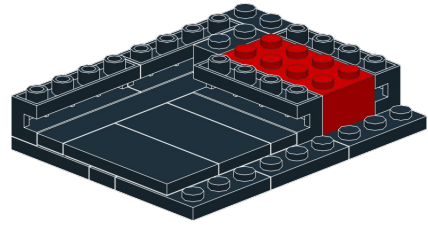
Qty	Part	Color	Description
1	4274.dat	Blue	Technic Pin 1/2
5	2431.dat	Black	Tile 1 x 4 with Groove
6	2653.dat	Black	Brick 1 x 4 with Groove
1	2780.dat	Black	Technic Pin with Friction and Slots
3	3004.dat	Black	Brick 1 x 2
2	3005.dat	Black	Brick 1 x 1
10	3023.dat	Black	Plate 1 x 2
1	3024.dat	Black	Plate 1 x 1
1	3032.dat	Black	Plate 4 x 6
2	3039.dat	Black	Slope Brick 45 2 x 2
6	3040b.dat	Black	Slope Brick 45 2 x 1
5	3045.dat	Black	Slope Brick 45 2 x 2 Double Convex
5	3069b.dat	Black	Tile 1 x 2 with Groove
2	3245c.dat	Black	Brick 1 x 2 x 2 without Understud
6	3623.dat	Black	Plate 1 x 3
1	3700.dat	Black	Technic Brick 1 x 2 with Hole
2	4733.dat	Black	Brick 1 x 1 with Studs on Four Sides
1	6636.dat	Black	Tile 1 x 6
8	11212.dat	Black	Plate 3 x 3
1	15571.dat	Black	Slope Brick 45 1 x 2 Triple with Bottom Stud Holder
1	18674.dat	Black	Plate 2 x 2 Round with 1 Centre Stud
1	49098.dat	Black	Wheel Rim 11 x 18 Side with Tyre Widener
1	60478.dat	Black	Plate 1 x 2 with Handle on End
2	63864.dat	Black	Tile 1 x 3
1	72206p01.dat	Black	Wheel 11 x 24 with Integral Rubber Black Tyre
3	78329.dat	Black	Plate 1 x 5
5	85861.dat	Black	Plate 1 x 1 Round with Open Stud
1	85975.dat	Black	Minifig Hat Fez
2	87079.dat	Black	Tile 2 x 4 with Groove
5	3023.dat	Tan	Plate 1 x 2
4	3024.dat	Tan	Plate 1 x 1
1	3069b.dat	Tan	Tile 1 x 2 with Groove
1	3070b.dat	Tan	Tile 1 x 1 with Groove
1	3622.dat	Tan	Brick 1 x 3
2	3623.dat	Tan	Plate 1 x 3
1	3700.dat	Tan	Technic Brick 1 x 2 with Hole
1	6636.dat	Tan	Tile 1 x 6 Tan
1	32828.dat	Tan	Plate 1 x 1 Round with Bar
1	54200.dat	Tan	Slope Brick 31 1 x 1 x 0.667
1	60032.dat	Tan	Window 1 x 2 x 2 Plane with Single Hole Top and Bottom for Glass
6	60477.dat	Tan	Slope Brick 18 4 x 1
1	61409.dat	Tan	Slope Brick 18 2 x 1 x 0.667 Grille
1	63864.dat	Tan	Tile 1 x 3
1	79389.dat	Tan	Bracket 1 x 1 - 2 x 1 Down
1	3001.dat	Red	Brick 2 x 4
7	3023.dat	Red	Plate 1 x 2
1	11458.dat	Red	Plate 1 x 2 with Offset Peghole
1	98138.dat	Red	Tile 1 x 1 Round with Groove
1	60601.dat	Trans	Clear Glass for Window 1 x 2 x 2 without Sill
3	3070bp01.dat	White	Tile 1 x 1 with Rainbow Stripes Pattern
2	3622.dat	White	Brick 1 x 3
1	10202.dat	White	Tile 6 x 6 with Groove and Underside Studs
2	6541.dat	Lit Bluish Grey	Technic Brick 1 x 1 with Hole
2	22885.dat	Lt Bluish Grey	Brick 1 x 2 x 1.667 with Studs on 1 Side
2	24201.dat	Lt Bluish Grey	Slope Brick Curved 2 x 1 Inverted
1	63868.dat	Lt Bluish Grey	Plate 1 x 2 with Clip Horizontal on End (Thick C-Clip)
2	99781.dat	Lt Bluish Grey	Bracket 1 x 2 - 1 x 2 Down
2	4070.dat	Dk Bluish Grey	Brick 1 x 1 with Headlight
1	6231.dat	Dk Bluish Grey	Panel 1 x 1 x 1 Corner with Rounded Corners
1	22484.dat	Dk Bluish Grey	Bar 2L with Ball Joint-8



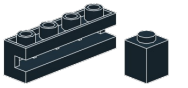
6



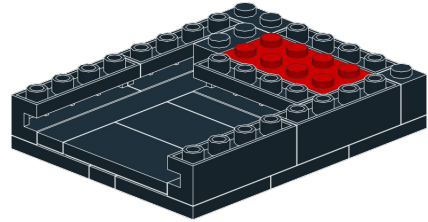
1x



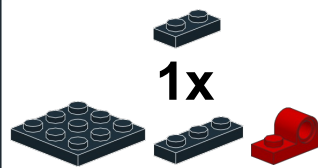
7



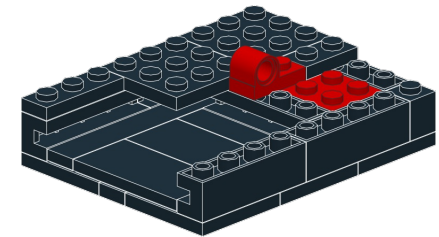
2x 1x



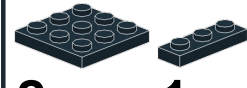
8



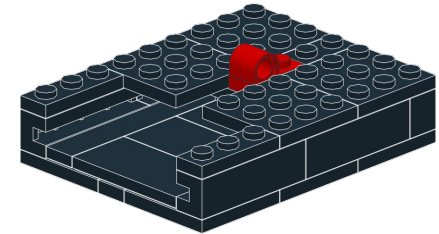
2x 1x 1x



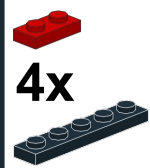
9



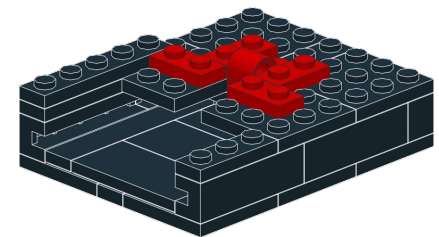
2x 1x



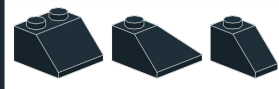
10



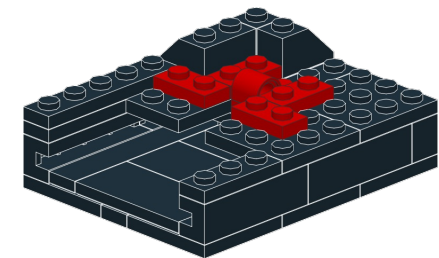
4x 1x



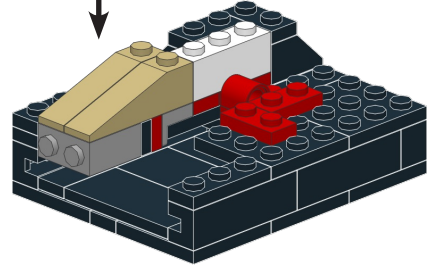
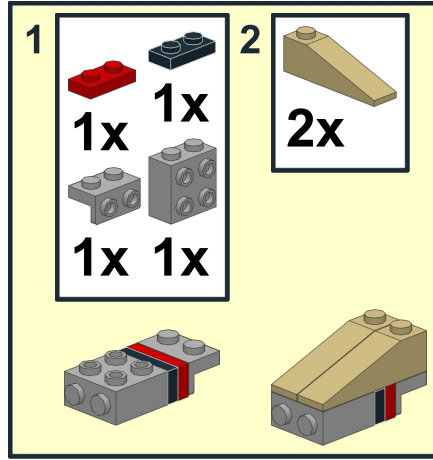
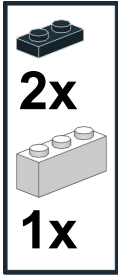
11



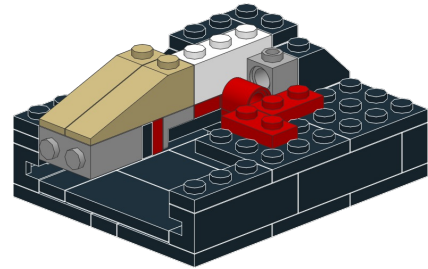
1x 1x 1x



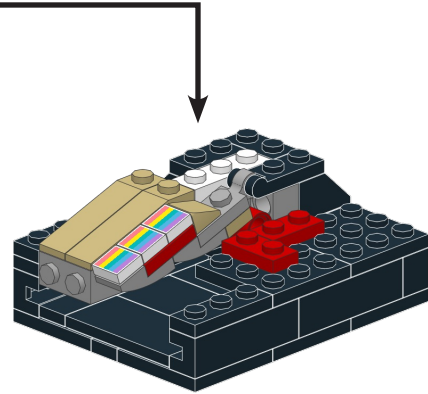
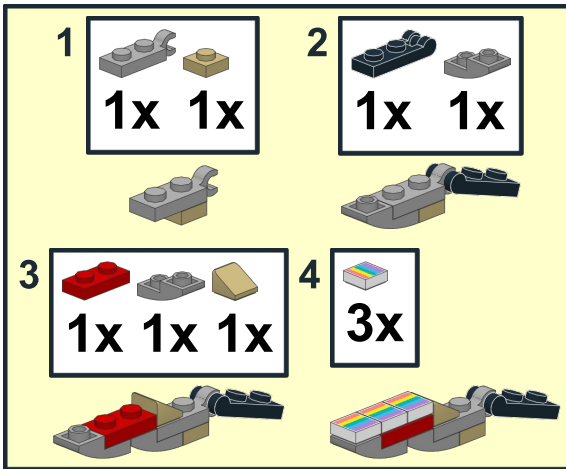
12



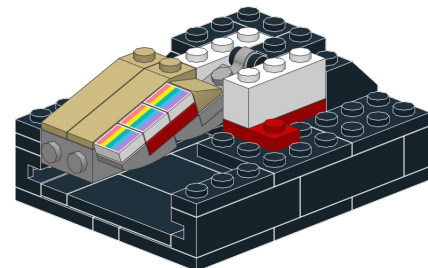
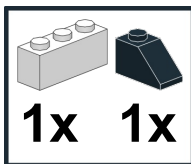
13



14

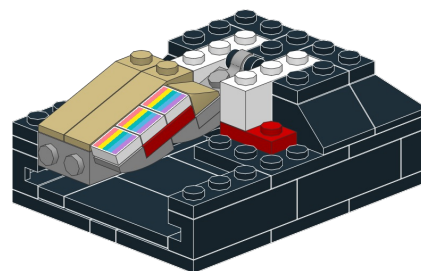


15



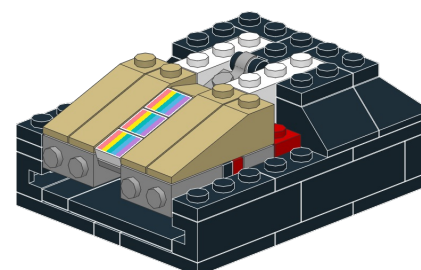
16

2x
1x 1x



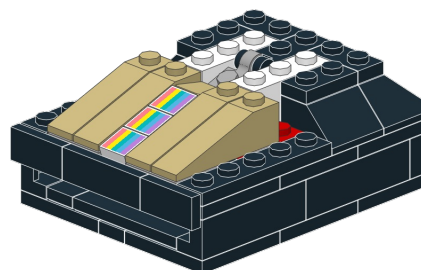
17

1 1x 1x
1x 1x
2 2x



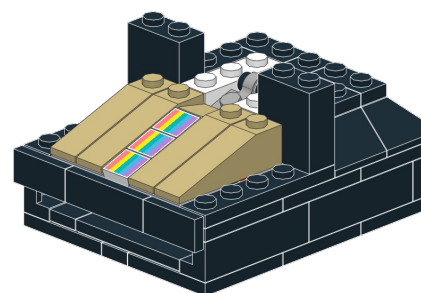
18

1x
1x 2x



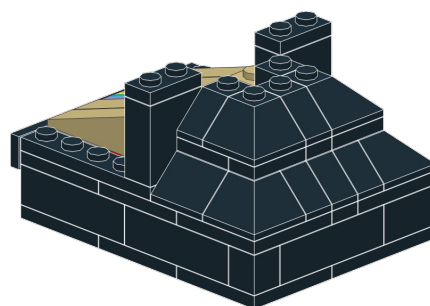
19

2x

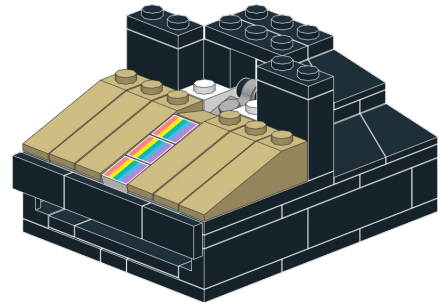
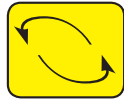
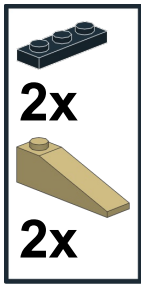


20

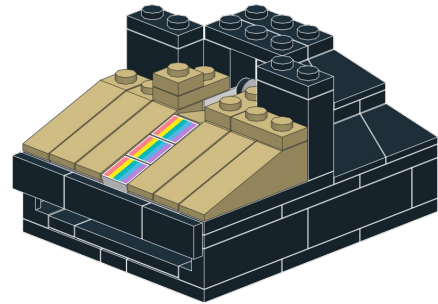
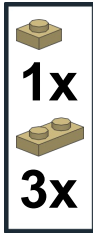
3x
2x 2x



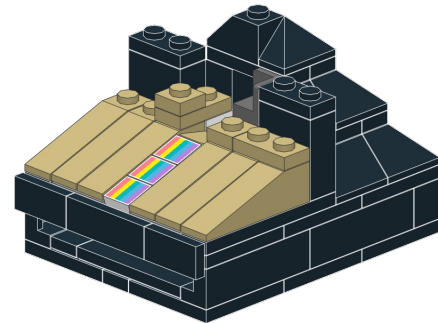
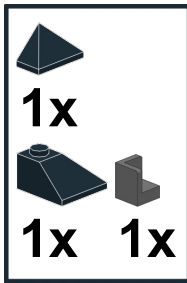
21



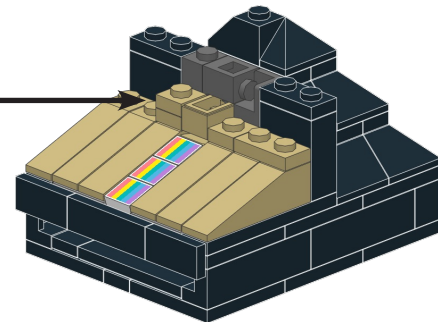
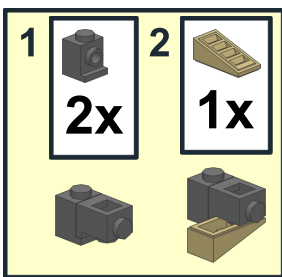
22



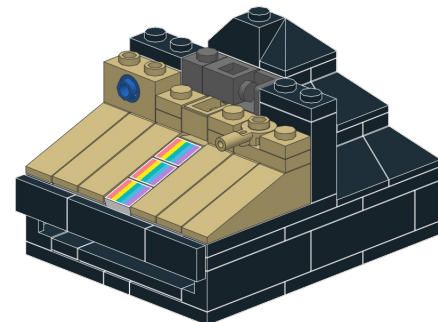
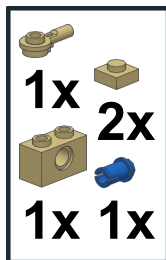
23



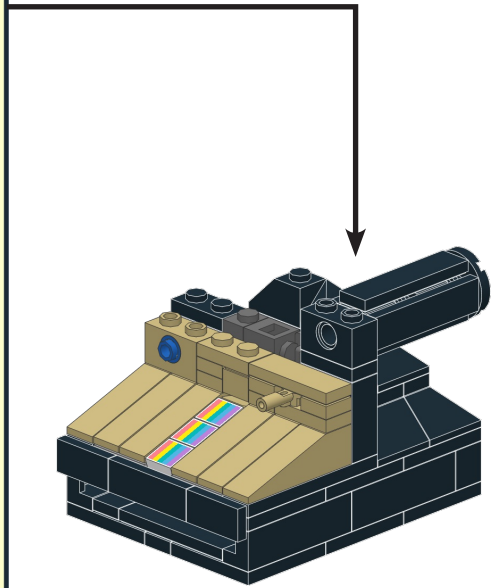
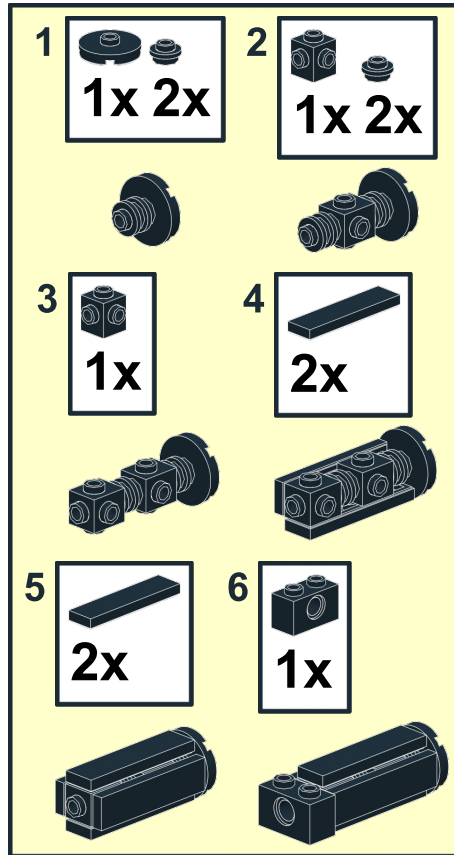
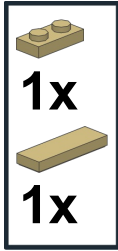
24



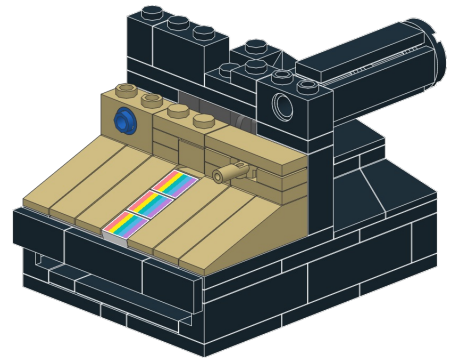
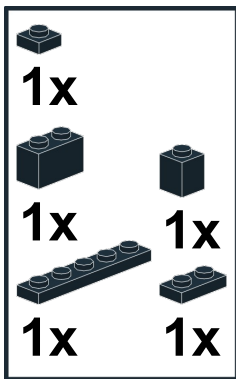
25



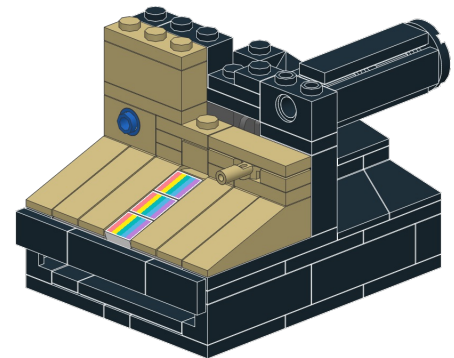
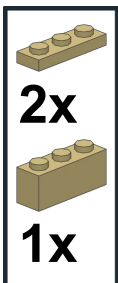
26



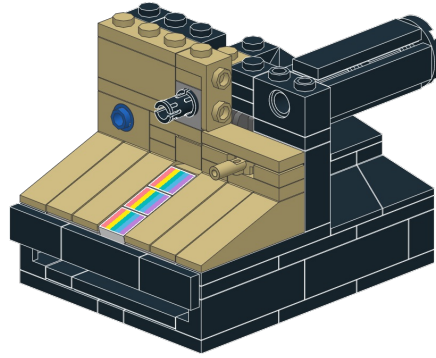
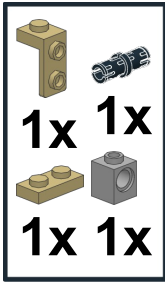
27



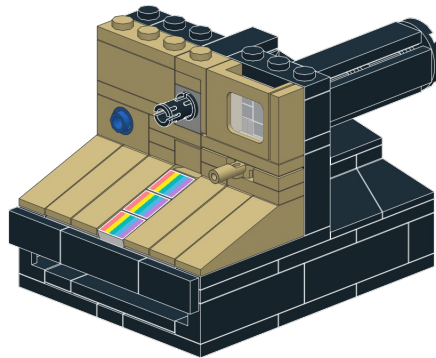
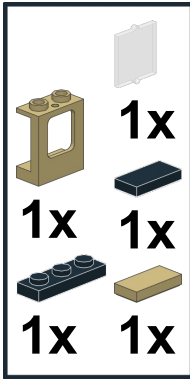
28



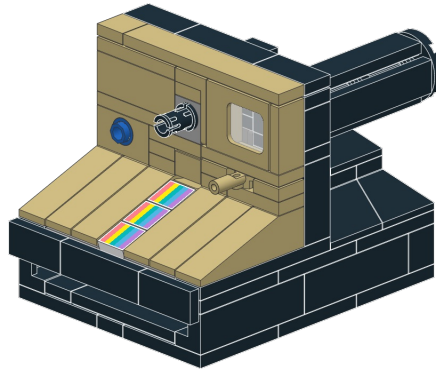
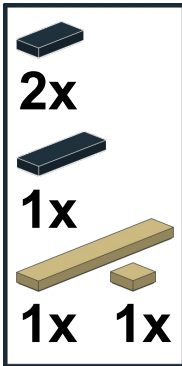
29



30



31



32

