

# Wrapped LEGO Present Box with Snowflake Surprise

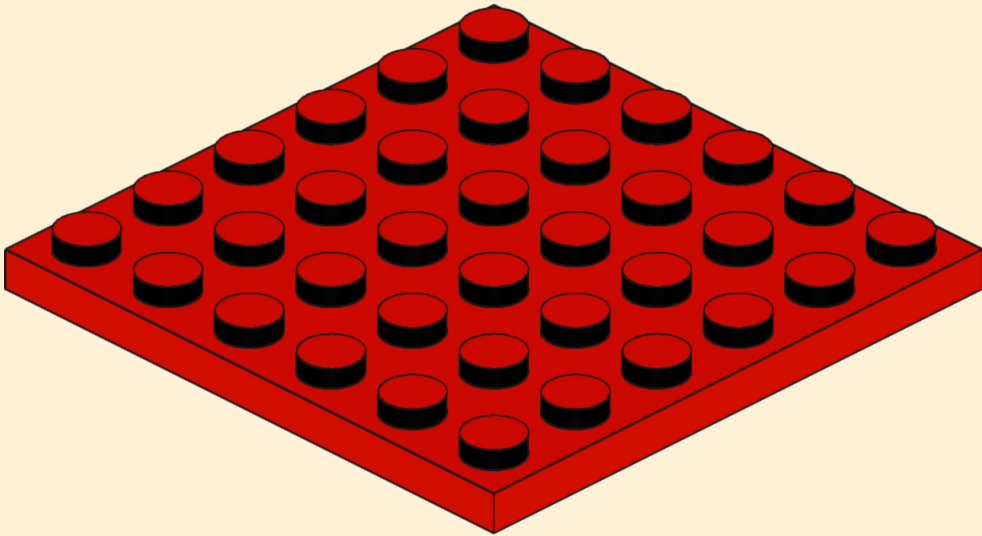
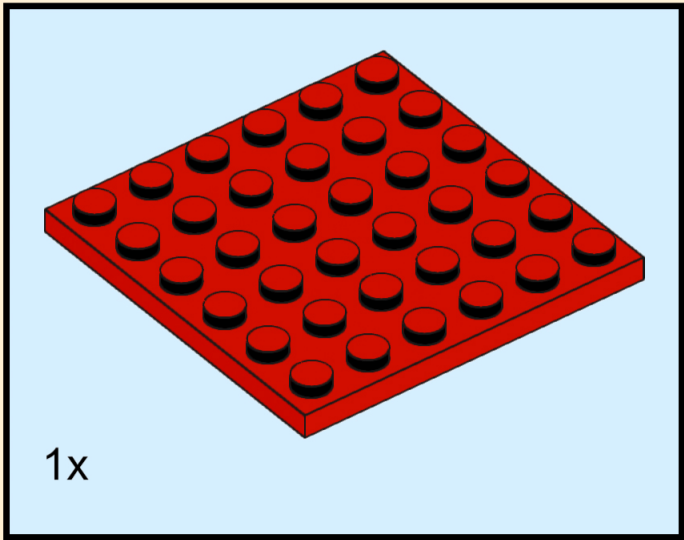


Design & Instructions by Dave Schefcik

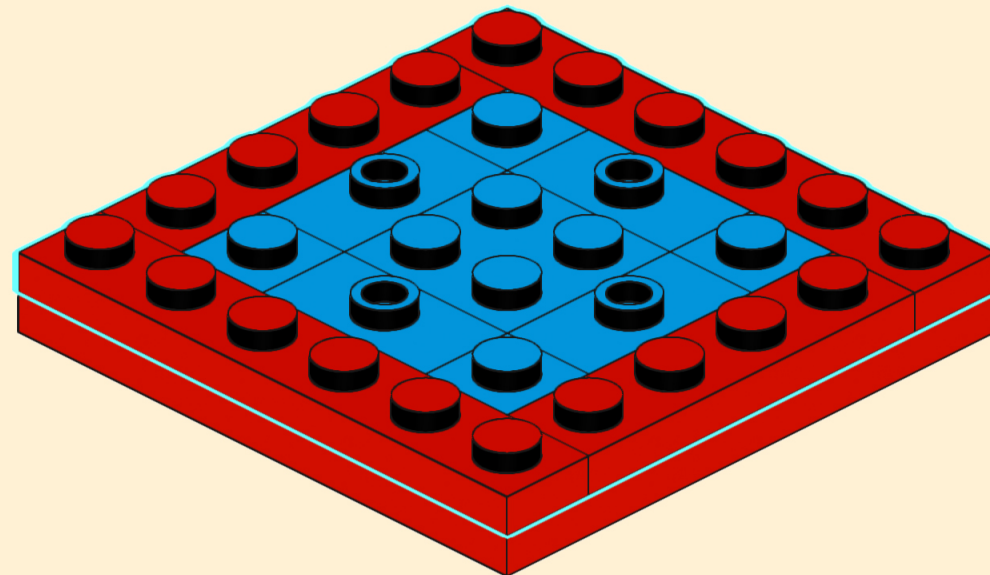
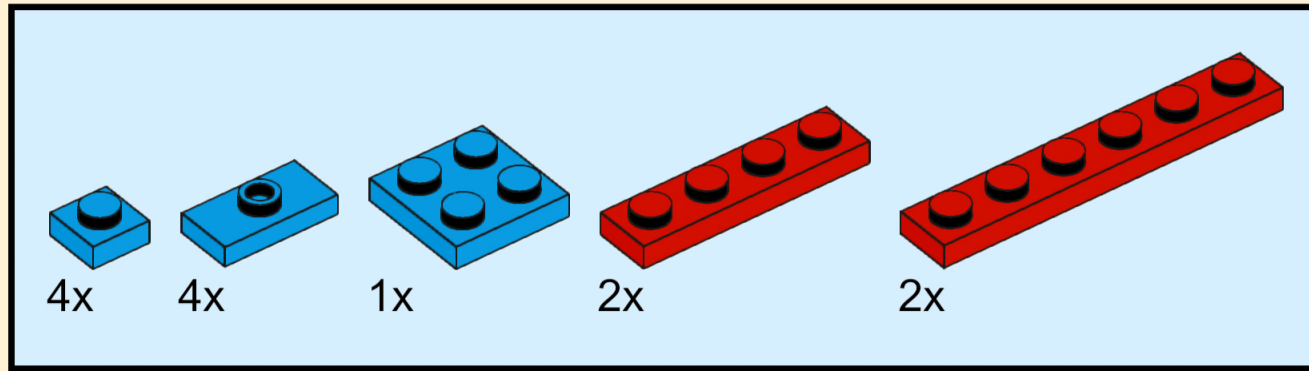


BrickNerd

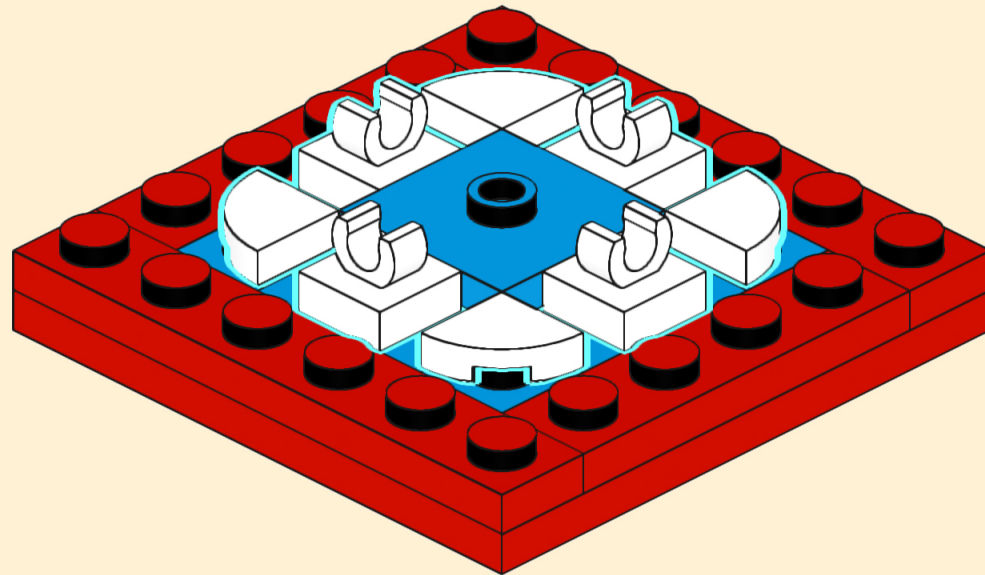
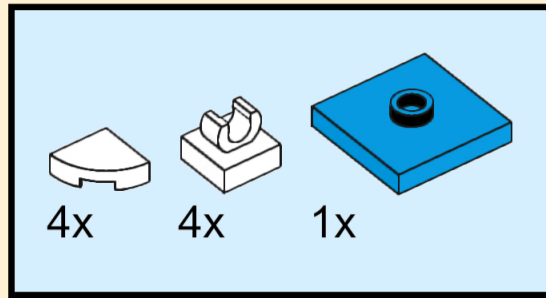
1



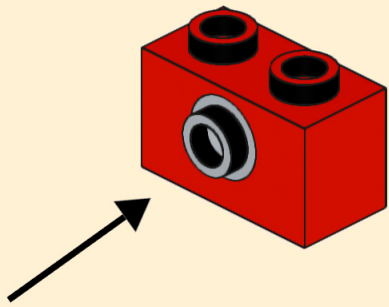
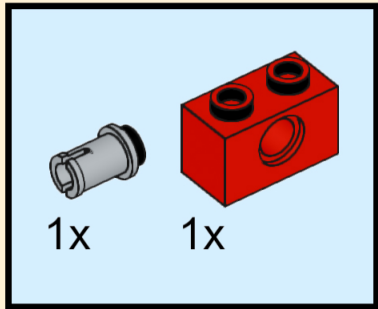
# 2



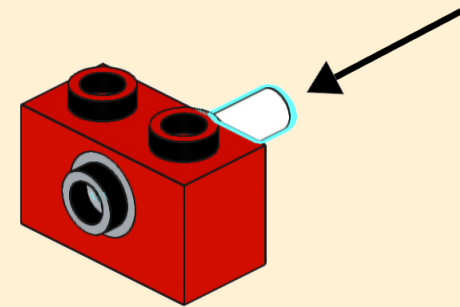
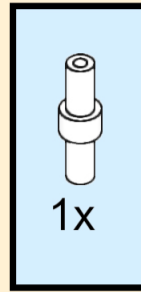
3



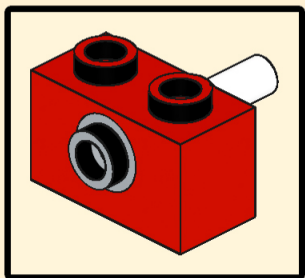
4



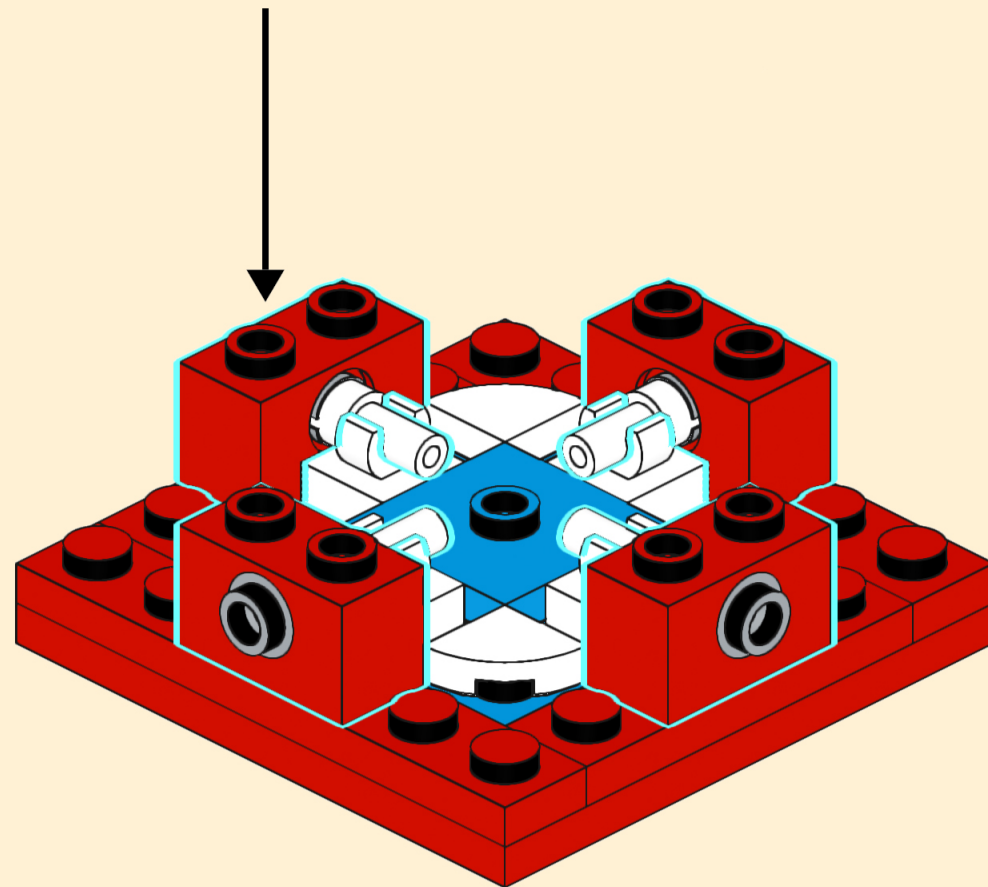
5



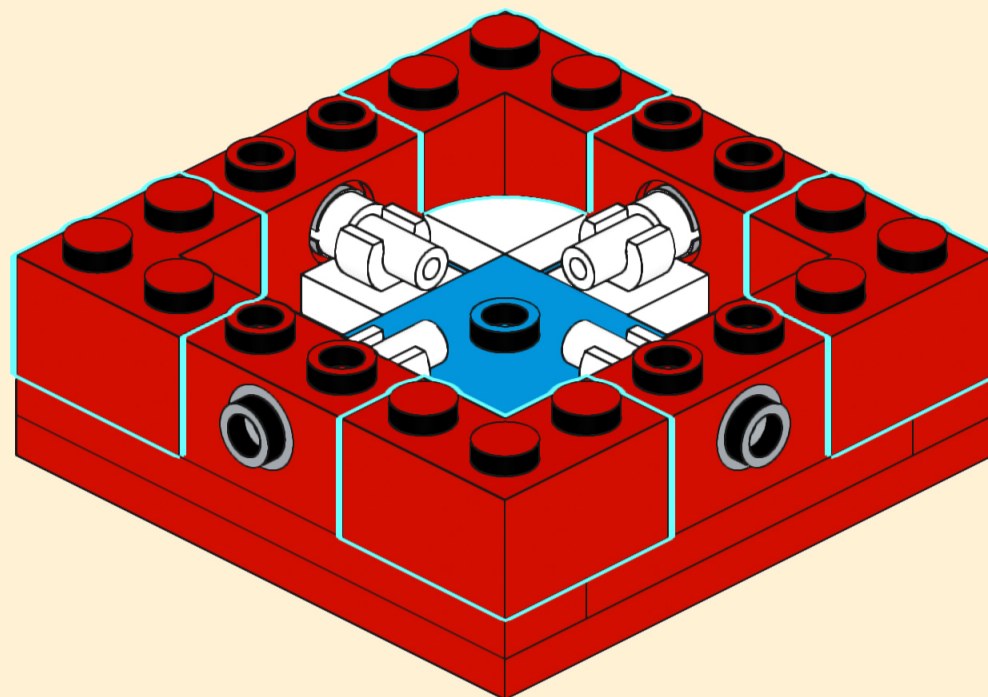
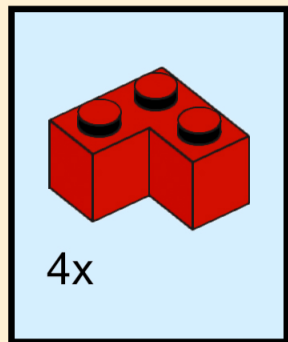
4x



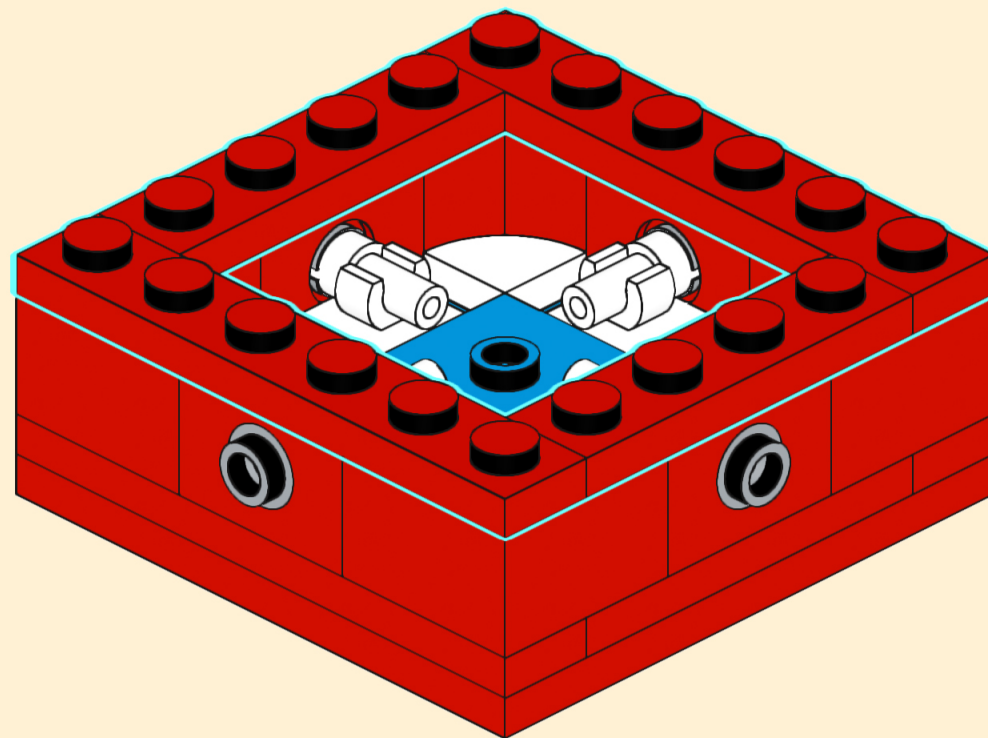
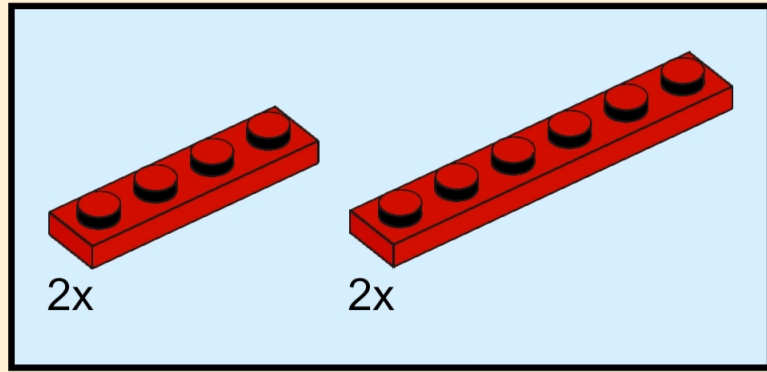
6



7

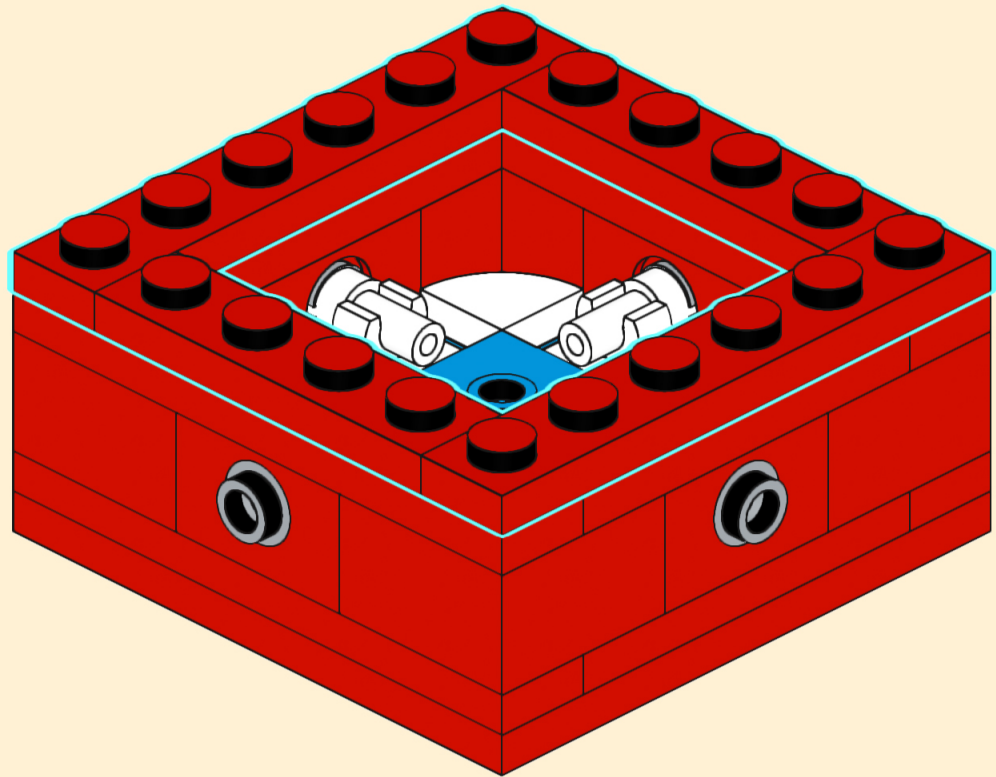
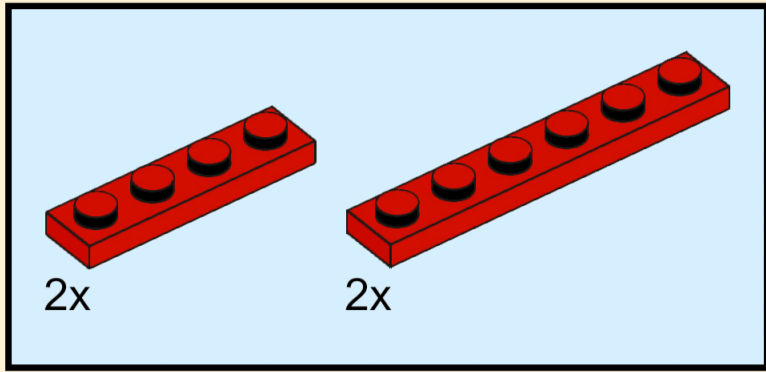


8

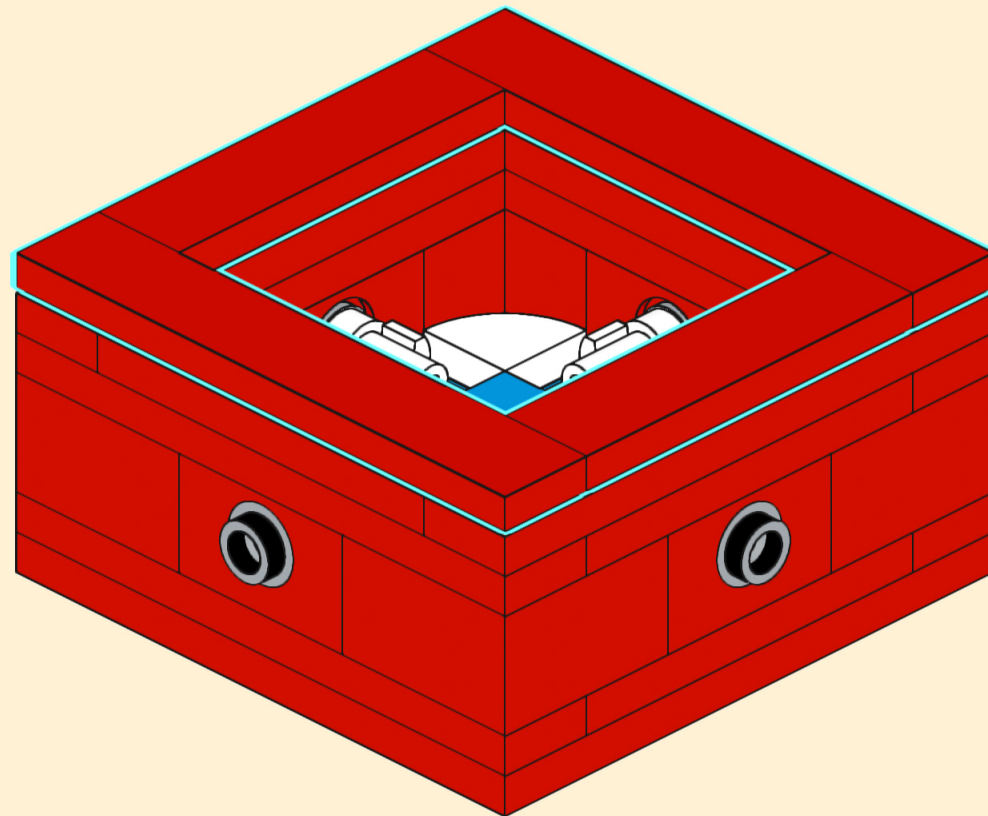
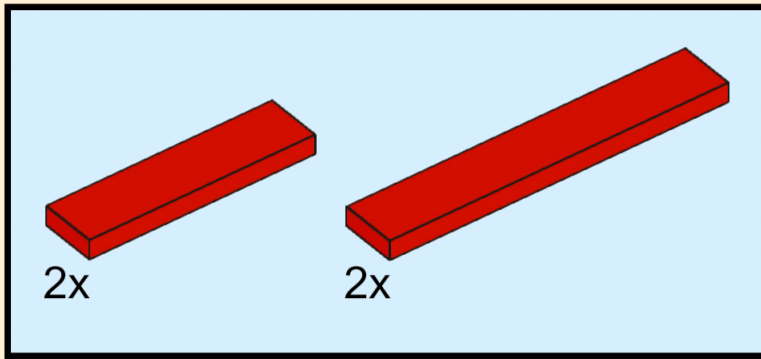




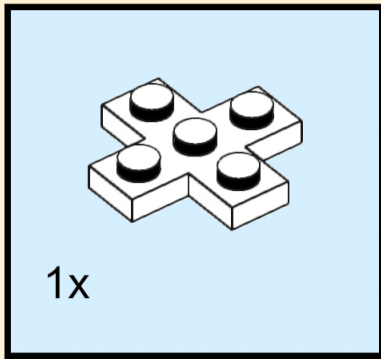
9



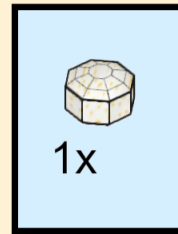
# 10



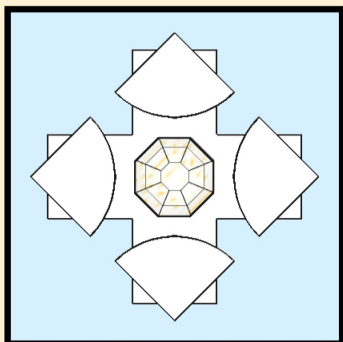
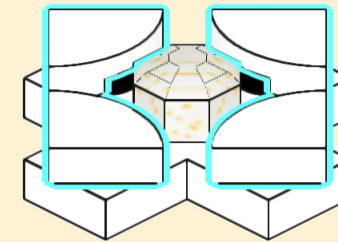
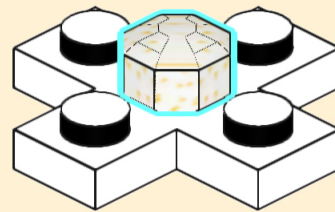
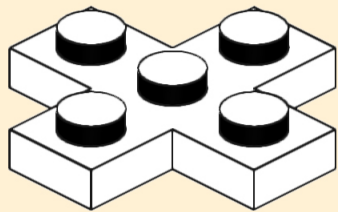
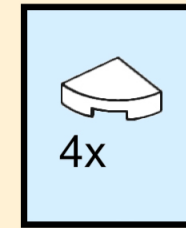
11



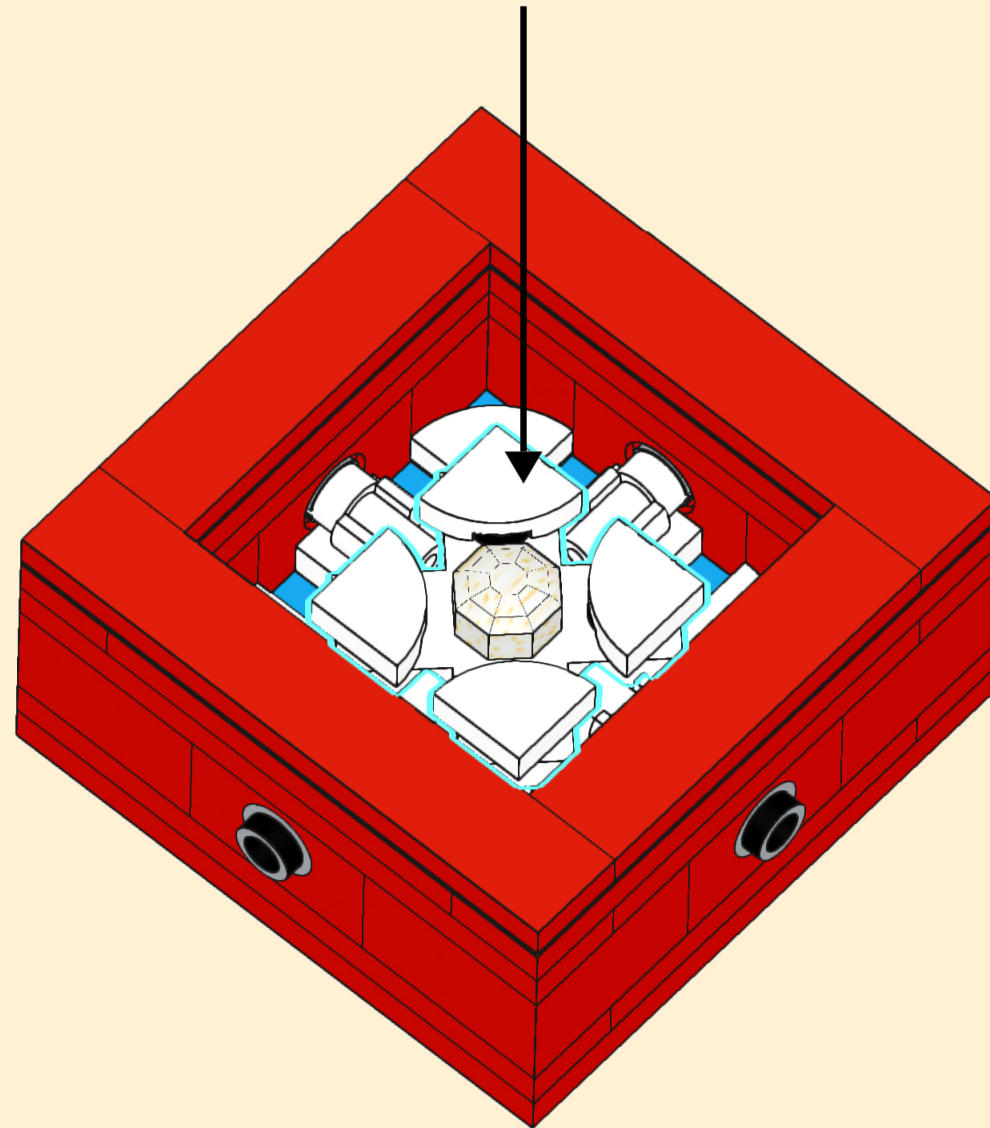
12



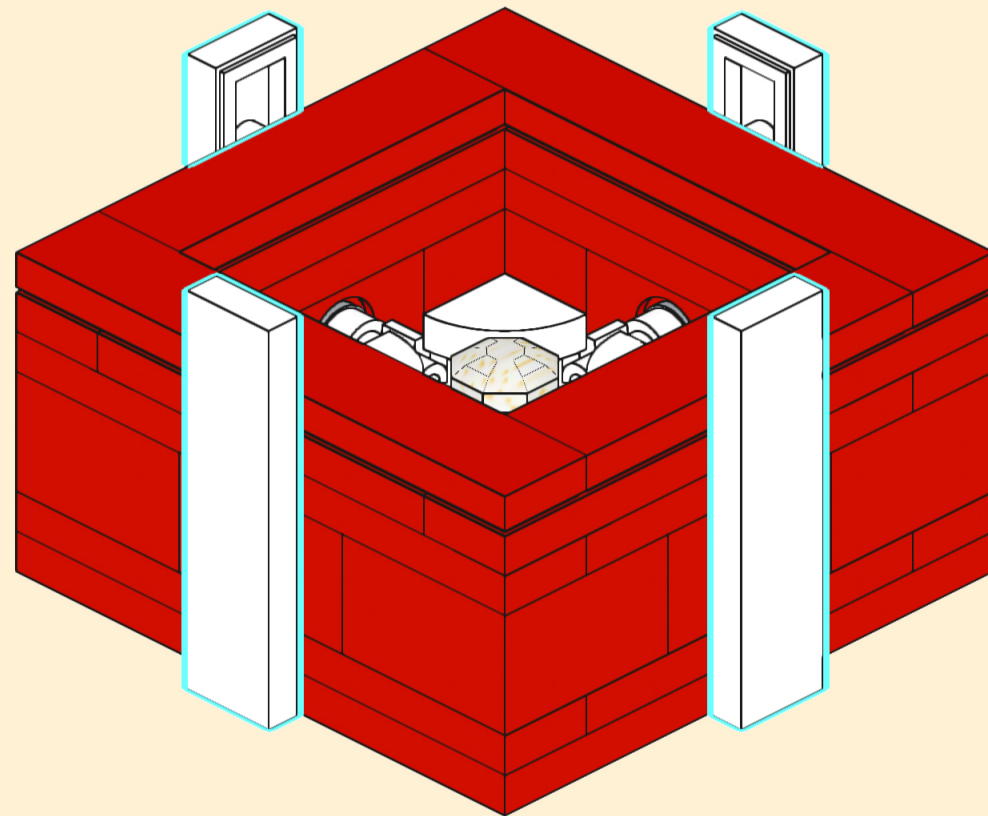
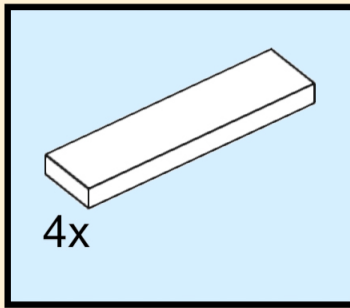
13



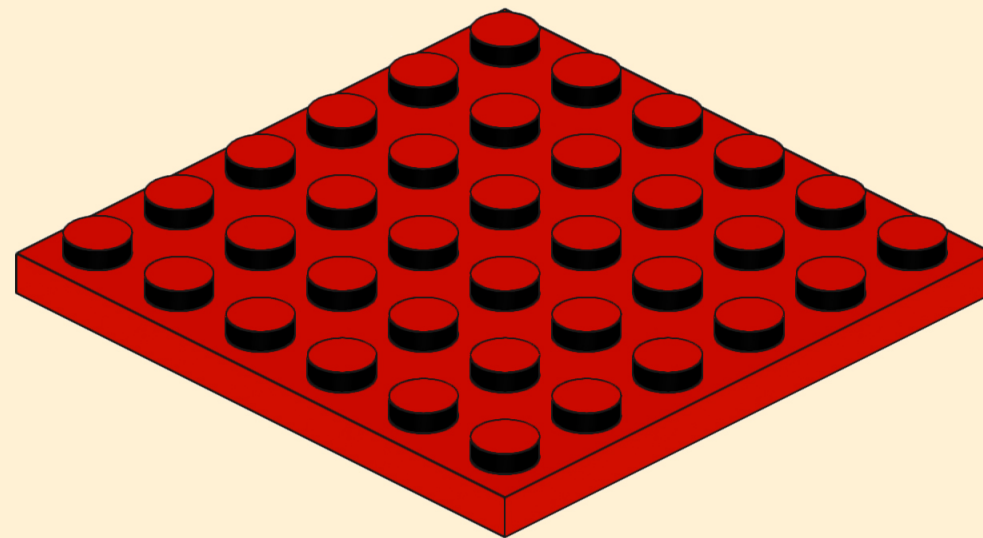
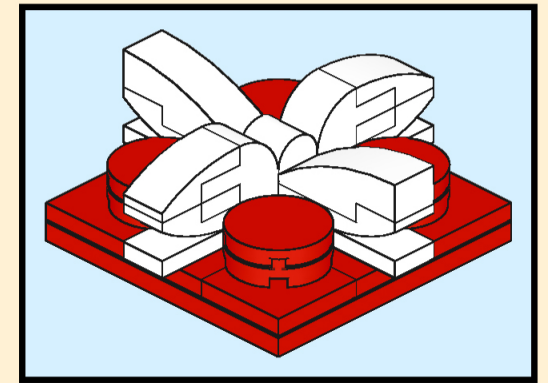
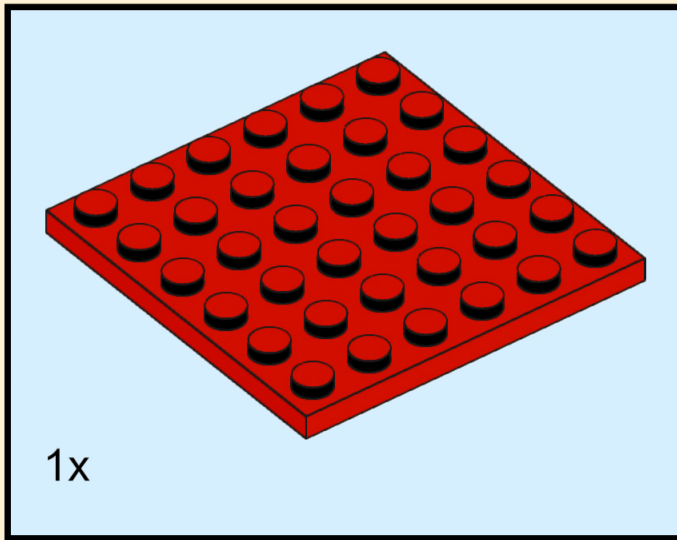
14



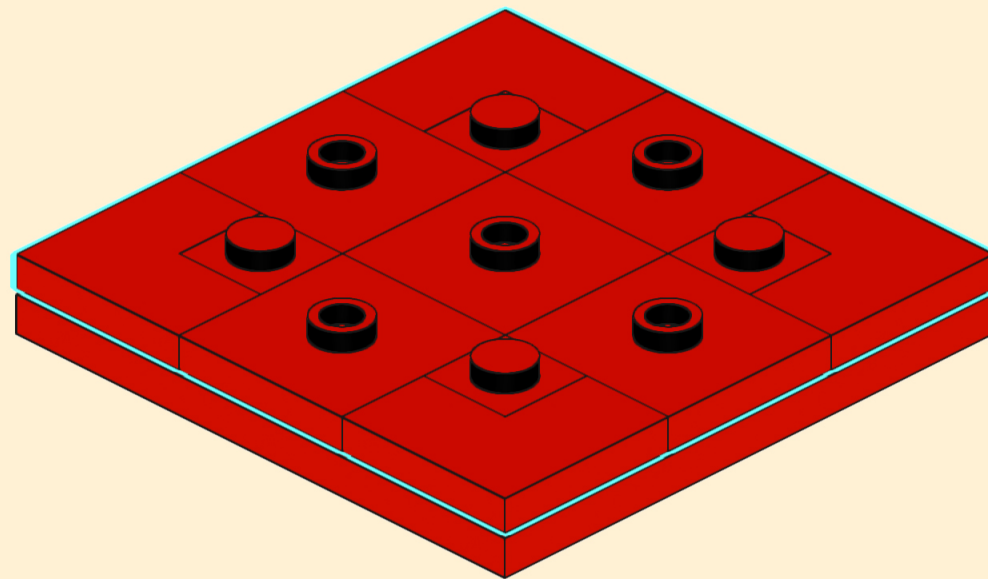
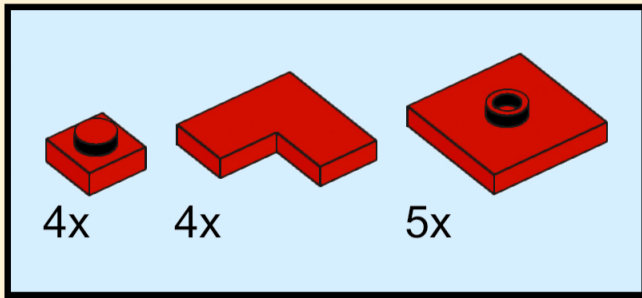
# 15



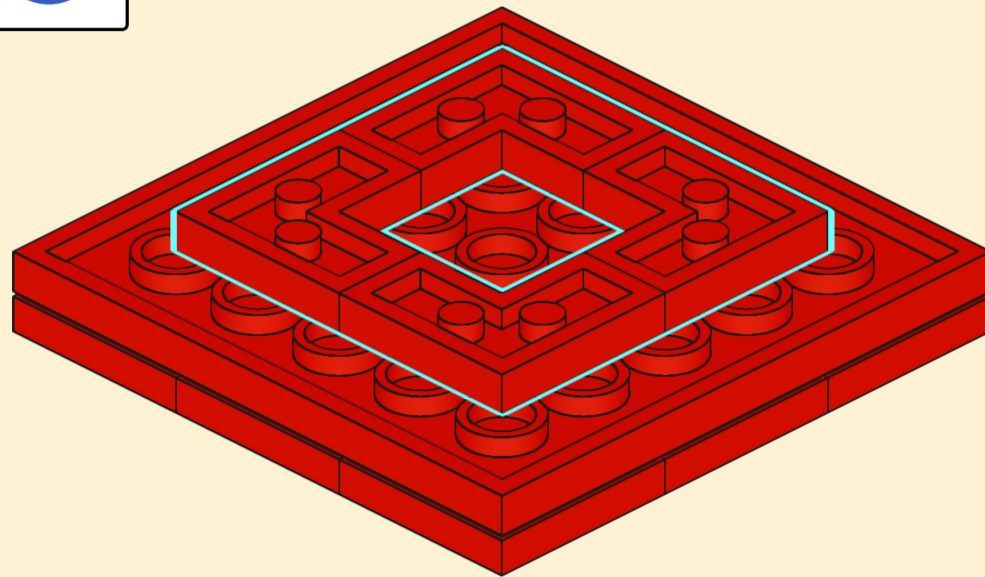
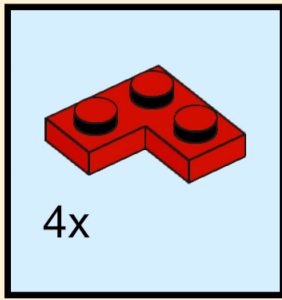
# 16



# 17

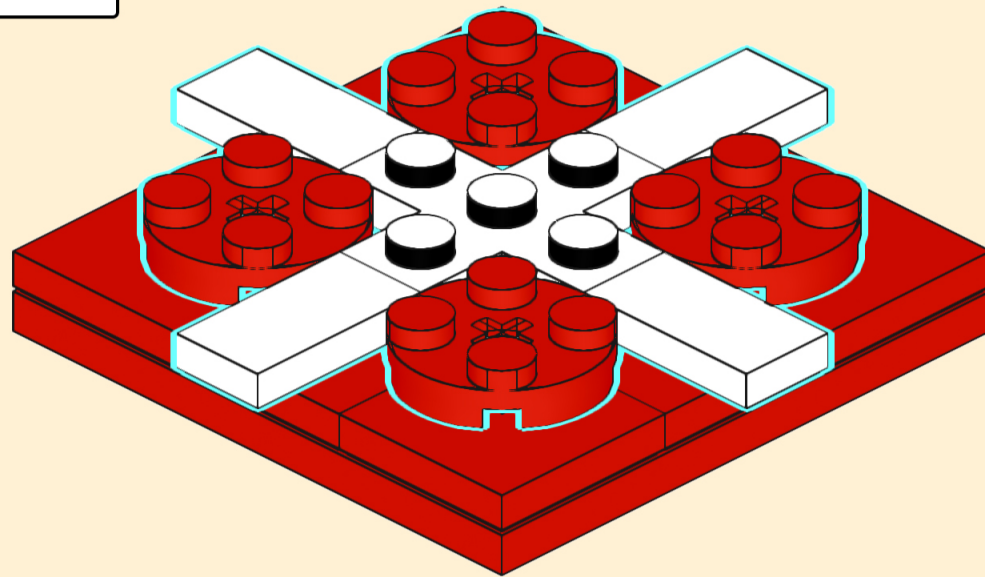
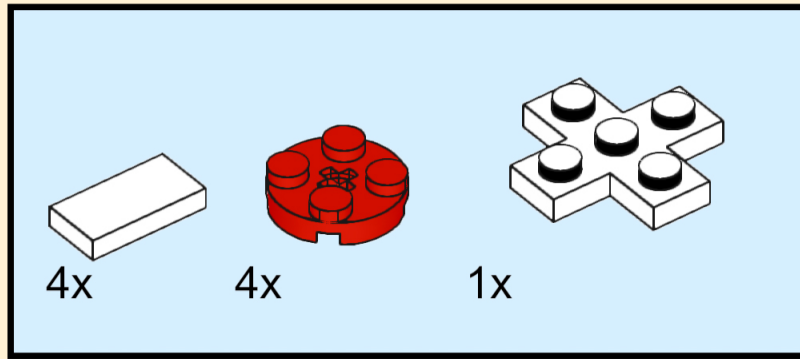


# 18

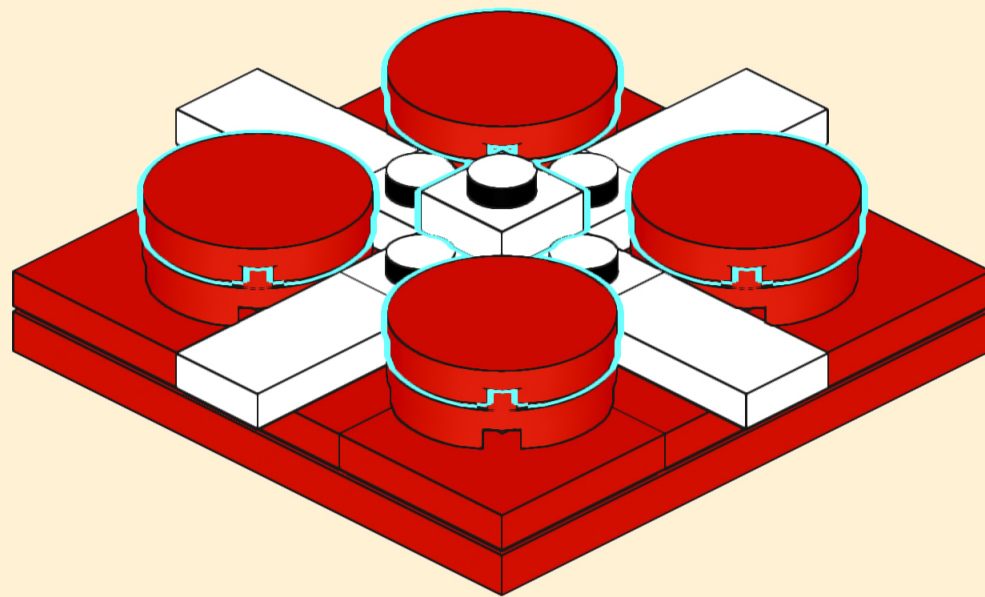
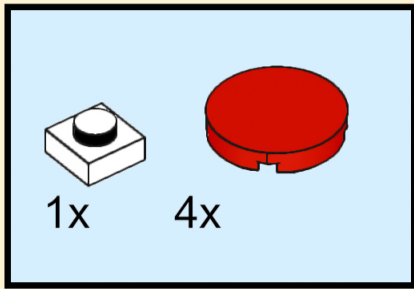




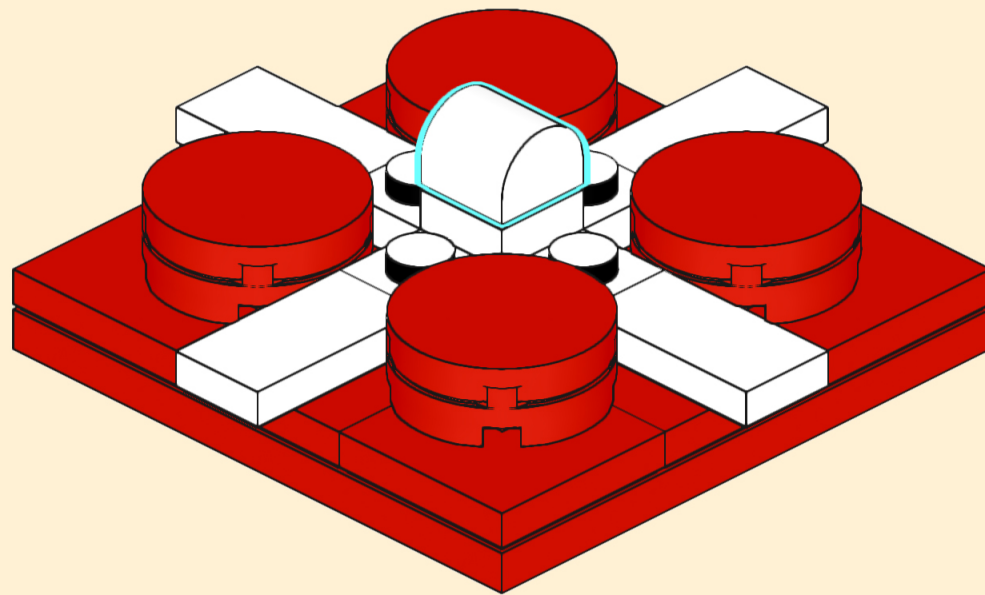
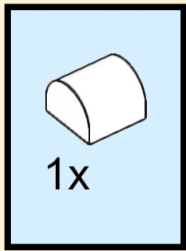
# 19



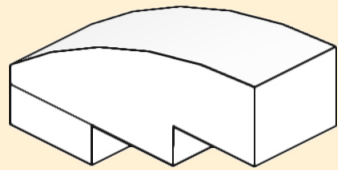
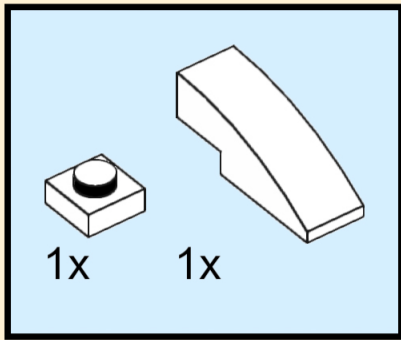
# 20



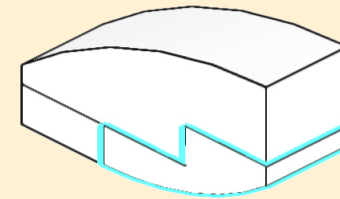
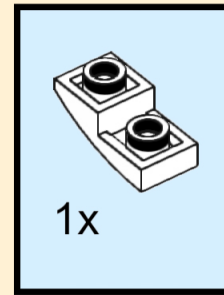
21



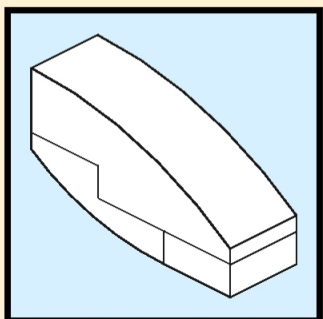
22



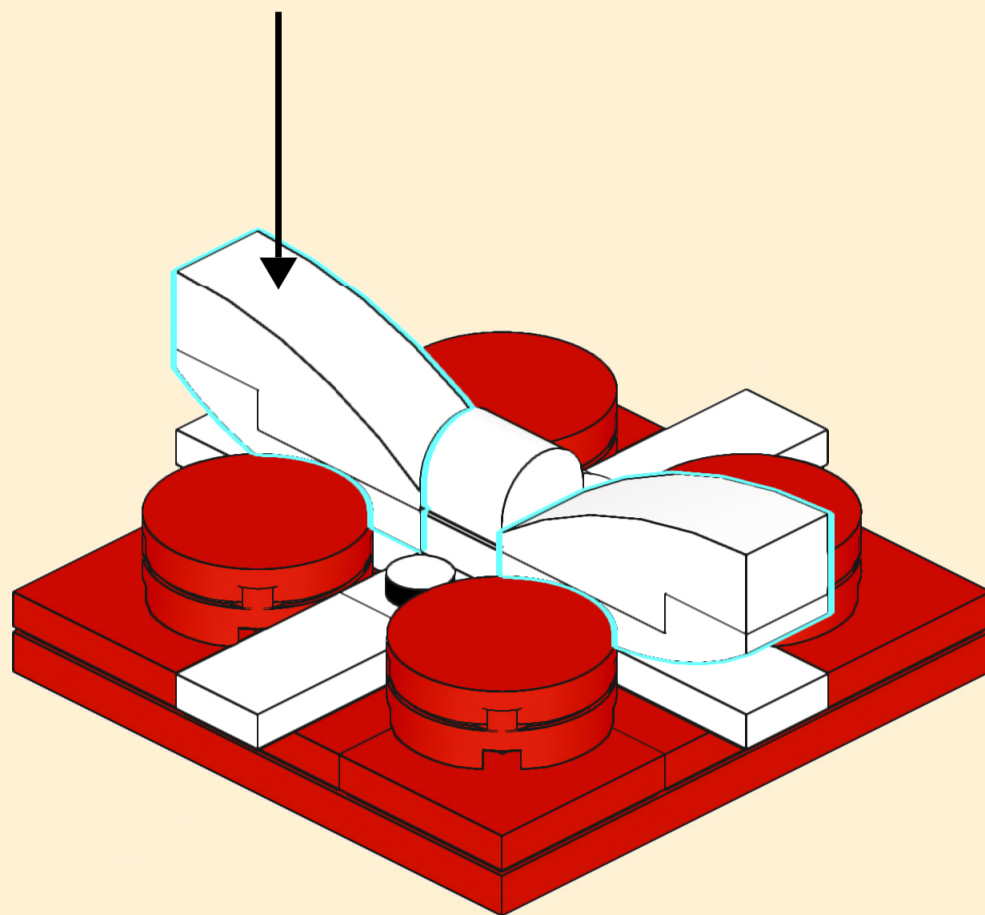
23



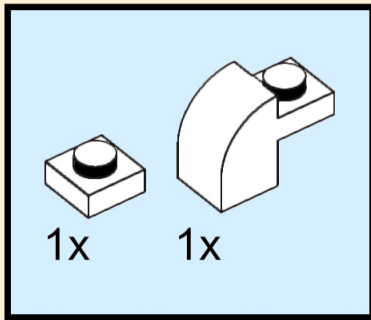
2x



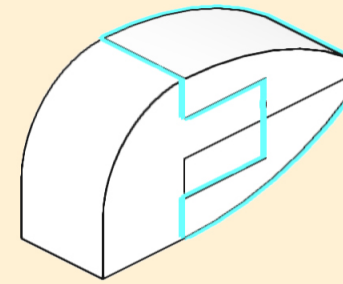
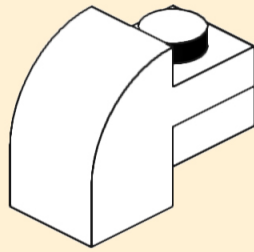
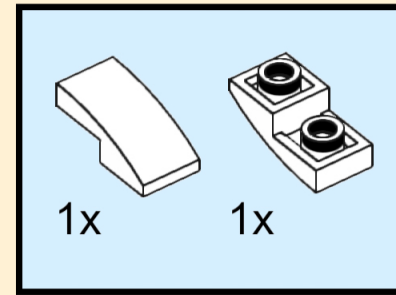
24



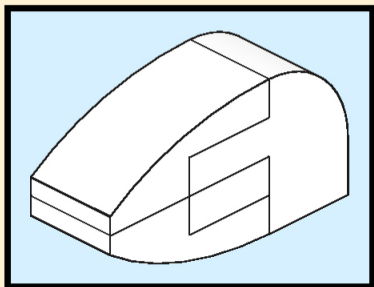
25



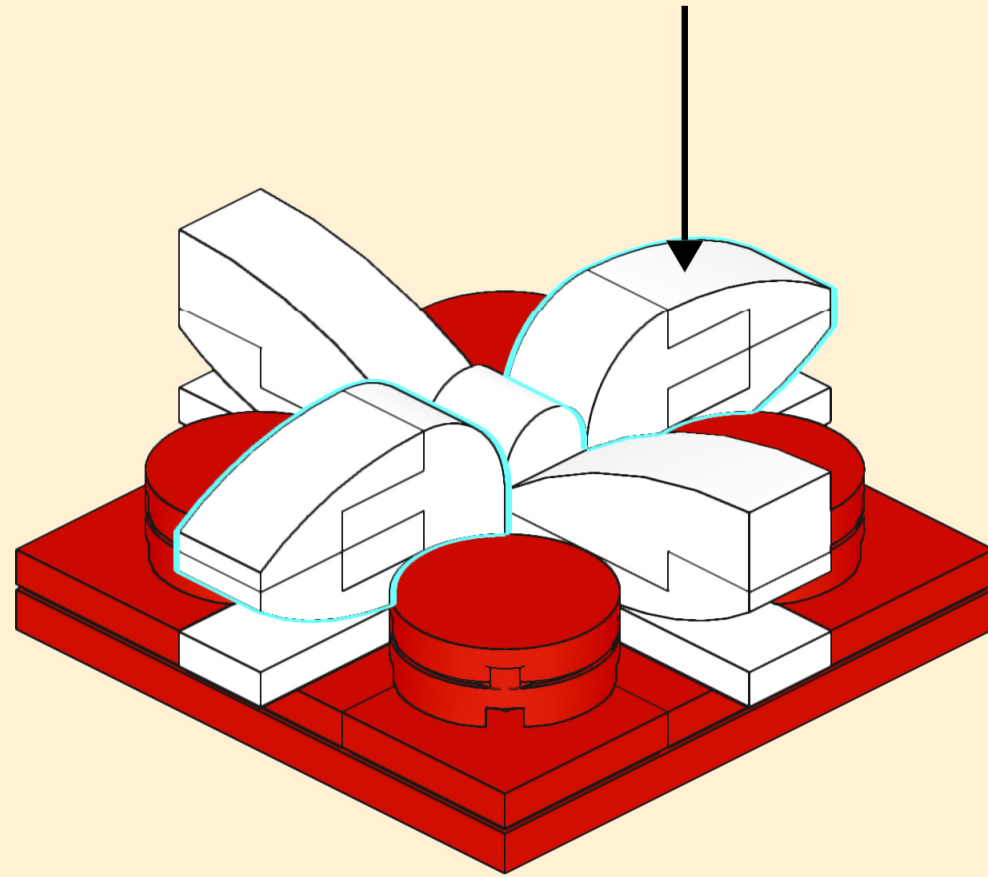
26



2x



27



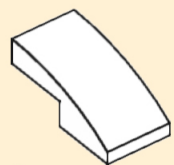
28



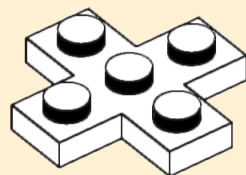




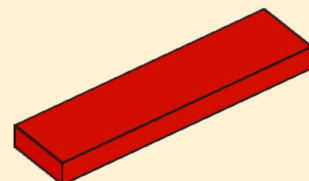
4x  
4274, 86



2x  
11477, 1



4x  
4032, 5



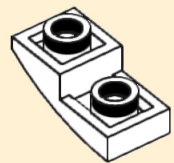
2x  
2431, 5



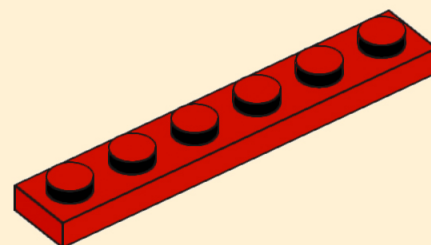
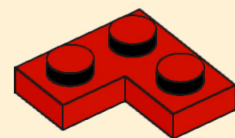
4x  
3024, 153



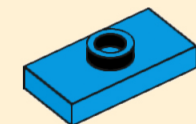
8x  
25269, 1



2x  
15397, 1



4x  
2420, 5

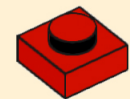


4x  
15573, 153



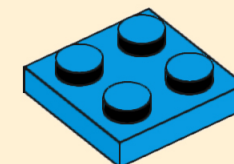
5x  
3024, 1

4x  
24201, 1



4x  
2420, 5

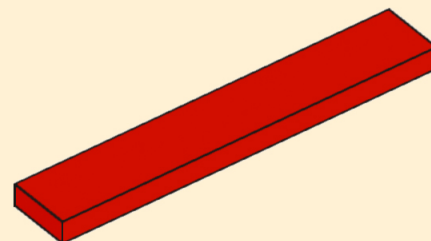
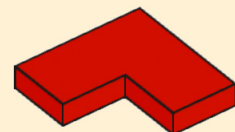
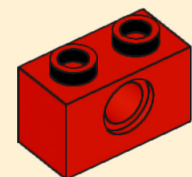
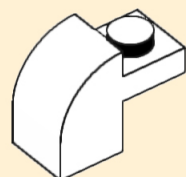
6x  
3666, 5



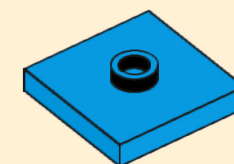
1x  
3022, 153



1x  
49307, 1



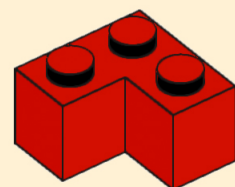
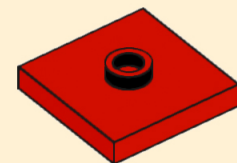
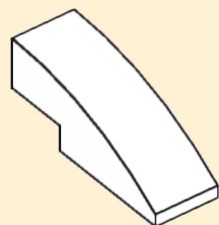
4x  
14719, 5



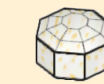
1x  
87580, 153



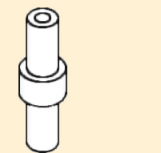
4x  
15712, 1



2x  
6636, 5



1x  
65092, 228

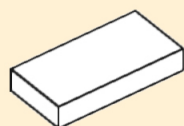
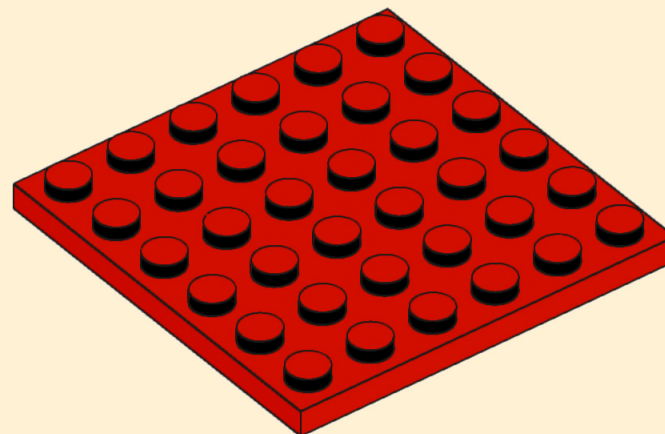


4x  
78258, 1

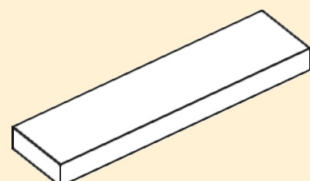
2x  
50950, 1

5x  
87580, 5

4x  
2357, 5



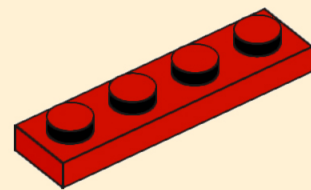
4x  
3069b, 1



4x  
2431, 1



4x  
14769, 5



6x  
3710, 5